

Schematic diagram of beat frequency 5-transistor metal locator described in the text.

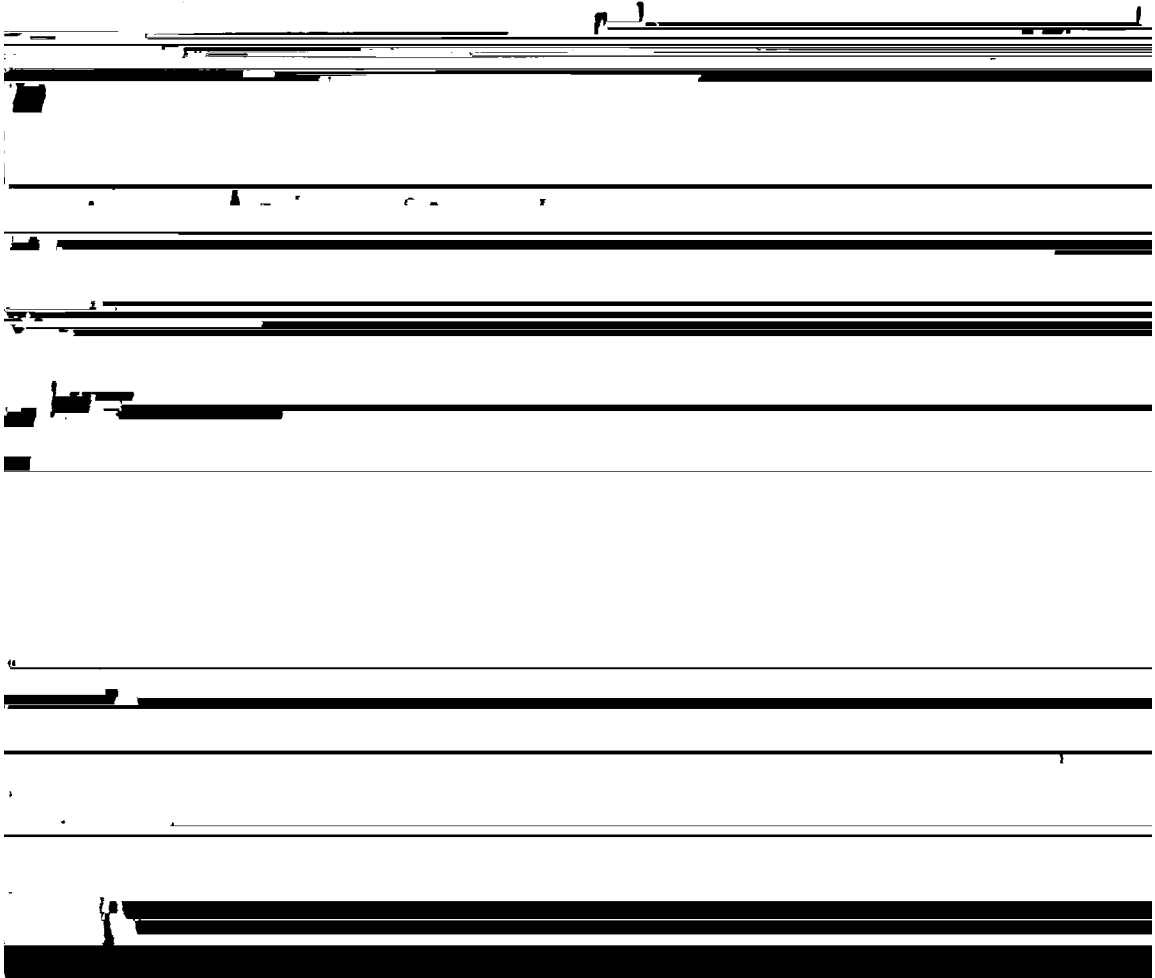
BLACK - 0	BLACK - 0				
BROWN - 1	BROWN - 1	BROWN - 0		GOLD = 5%	
RED - 2	RED - 2	RED - 00		SILVER = 10%	
ORANGE - 3	ORANGE - 3	ORANGE - 000		NO BAND = 20%	
YELLOW - 4	YELLOW - 4	YELLOW - 0000			
GREEN - 5	GREEN - 5	GREEN - 00000			
BLUE - 6	BLUE - 6	BLUE - 000000			
VIOLET - 7	VIOLET - 7	GOLD - MULTIPLY BY .1			
GRAY - 8	GRAY - 8	SILVER - MULTIPLY BY .01			
WHITE - 9	WHITE - 9				

A B C D



A B C D

How Color Band Patterns Are Used to Signify Resistor Size and Grade



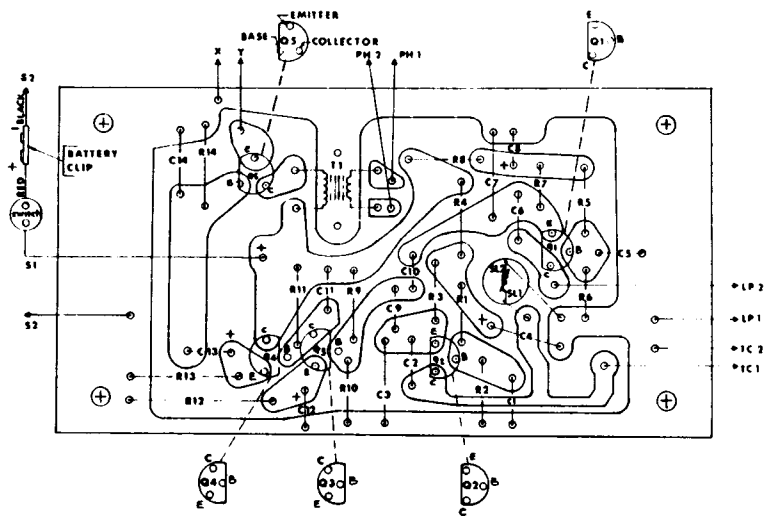


Figure 2

Top view of printed circuit board, showing component parts in position. The copper paths are outlined as though visible from the top to help with part orientation. Transistors are shown in exact location and are also projected outside the board area to help with positioning. Observe the way the flats are located on these epoxy transistors with respect to the PC board. Wires which connect the PC board to case-mounted components are shown with their identifying codes.

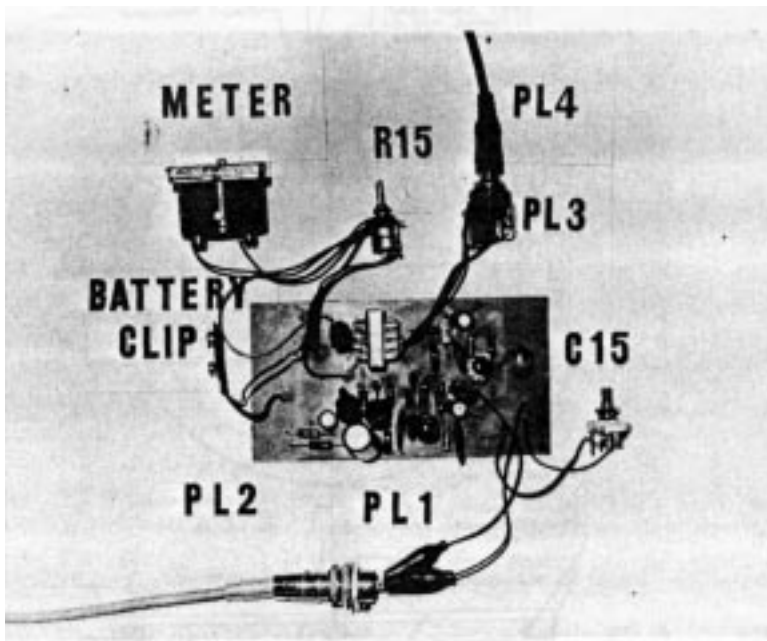


Figure 3

Printed circuit board, showing pigtail wires and attachments.

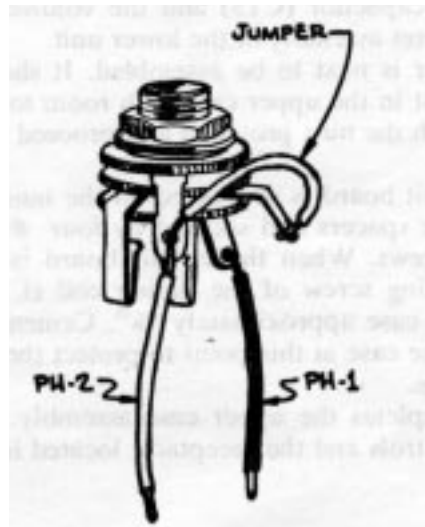


Figure 5

Stereo earphone jack modification detail.

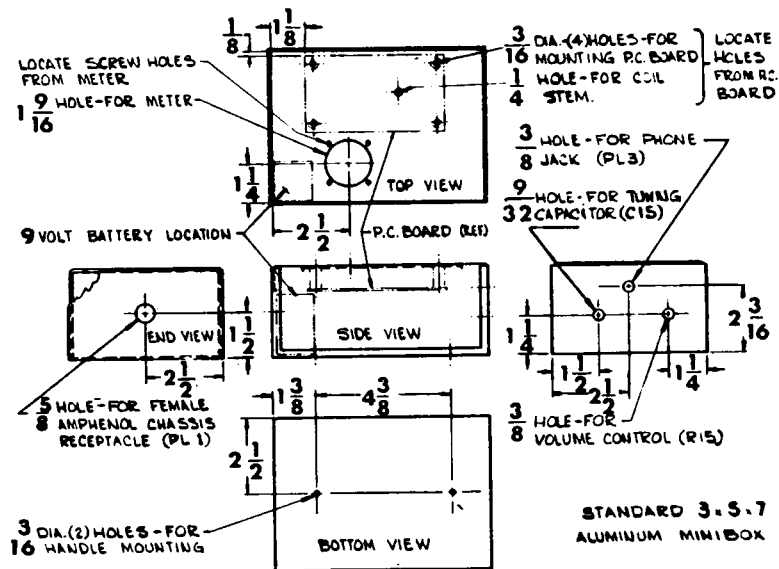
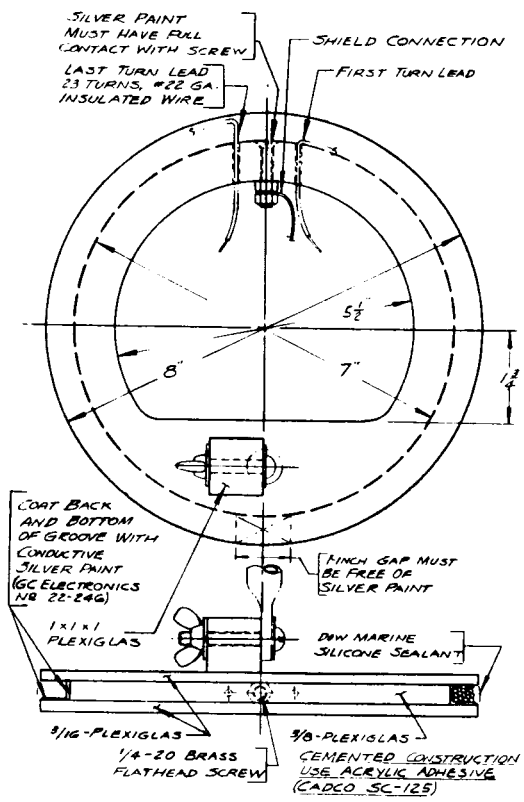
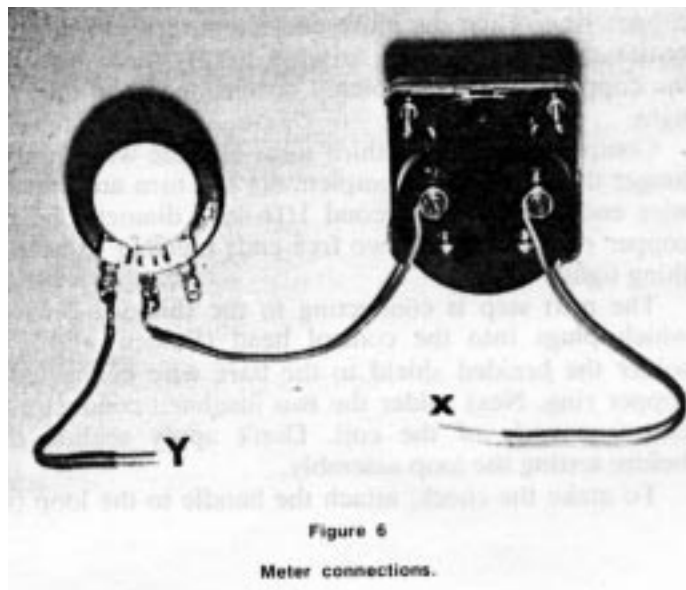


Figure 4

Guide for drilling holes in case.



Optional Loop Construction



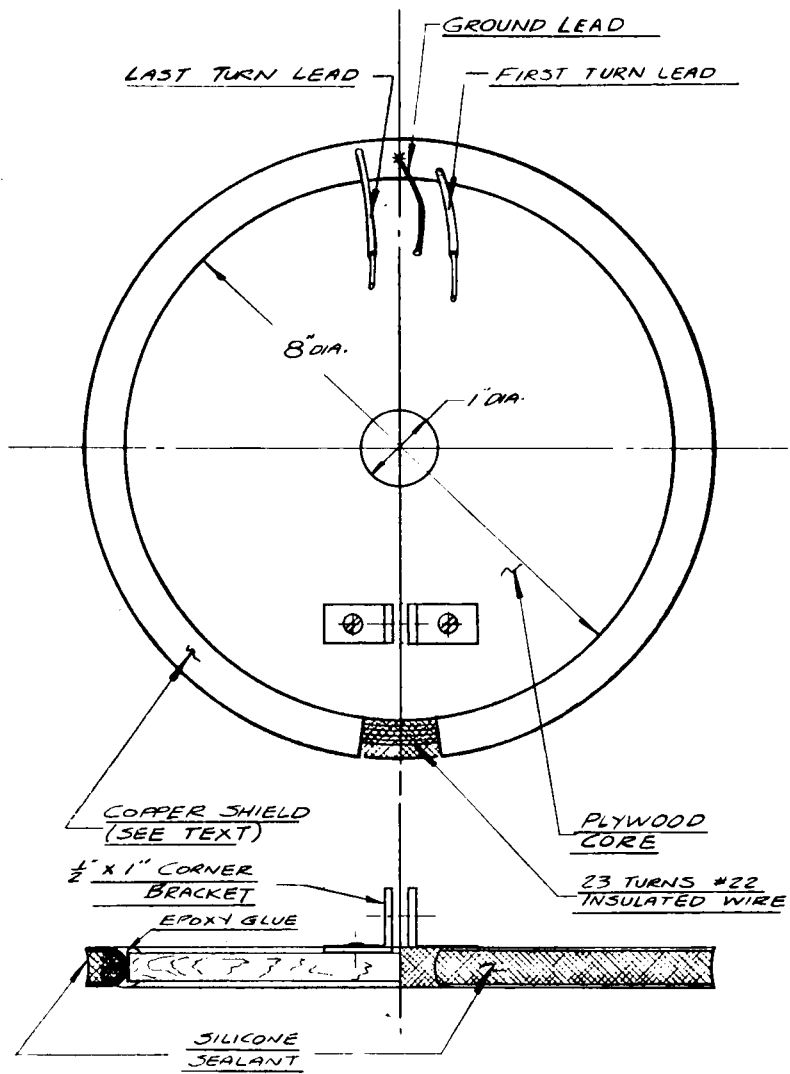


Figure 7

Refer to illustration on page 107 for alternate loop construction.

